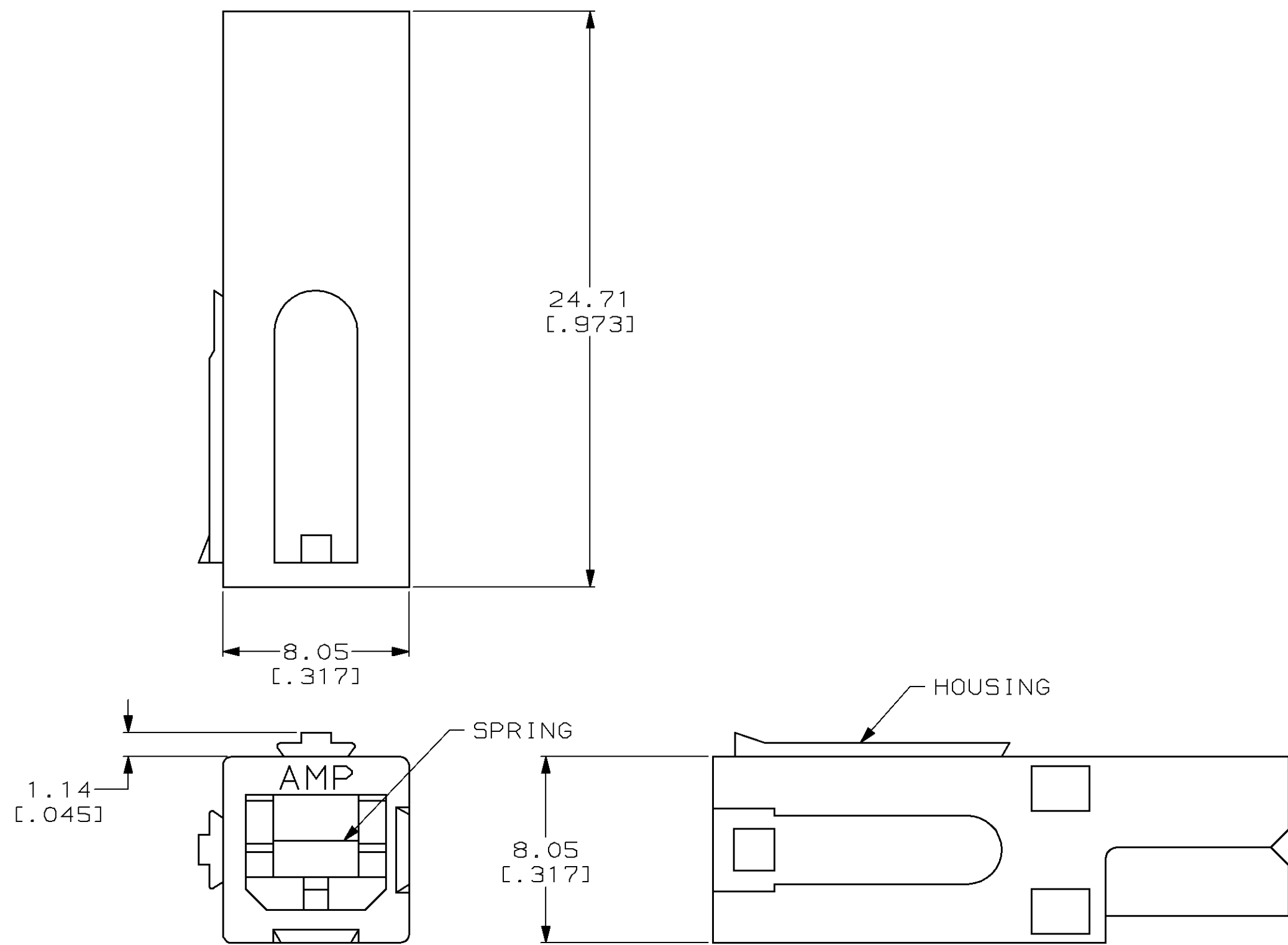


THIS DRAWING IS UNPUBLISHED. RELEASED FOR PUBLICATION ,19 .
 © COPYRIGHT 19 BY AMP INCORPORATED. ALL INTERNATIONAL RIGHTS RESERVED.

LOC	DIST	P	F	ZONE	LTR	DESCRIPTION	DATE	APPD
FT	60				K	OBS: 1/0; EC 0210-0356-96	14AUG96	DS DK
					L	REV PER EC 0320-74-97	03 APR 97	MM

- ① MATERIAL: HOUSING - SEE TABLE.
SPRING - STAINLESS STEEL.
- ② DIMENSIONS ARE MAXIMUM.
- ③ SEE RESTRICTED CUSTOMER DRAWING 1-53894-1.
- ④ SEE RESTRICTED CUSTOMER DRAWING 1-53894-2.
- ⑤ SEE RESTRICTED CUSTOMER DRAWING 1-53894-3.
- ⑥ SEE RESTRICTED CUSTOMER DRAWING 1-53894-4.



SUPERSEDED BY -2
 SUPERSEDED BY -4

HOUSING MATERIAL	COLOR	PART NO
-	-	⑥
-	-	⑤
-	-	④
-	-	③
POLYCARBONATE UL 94 V-0	BLACK	53894-9
	RED	53894-8
POLYESTER	NATURAL	53894-7
POLYCARBONATE	BLUE	53894-6
	YELLOW	53894-5
	RED	53894-4
	GREEN	53894-3
	BLACK	53894-2
	WHITE	53894-1

DO NOT SCALE PRINT. UNLESS SPECIFIED DIMENSIONS IN mm [INCHES] TOLERANCES ON: 2 PLC DEC ± - ② 3 PLC DEC ± - ANGLES ± -		DR 5-20-94 J GALLUCCI/UTA		AMP Incorporated Harrisburg, PA 17105-3608	
MATERIAL ①		CHK 5-24-94 N. JONES			
FINISH ①		APPD 5-25-94 D. KEMPKA		NAME CONNECTOR ASSEMBLY, SINGLE, SERIES 1, POWER LOCK	
		APPD 5-25-94 T. RAY		SIZE CAGE CODE DRAWING NO C 00779 C=53894	
		PRODUCT SPEC 108-11026		SCALE 5:1 SHEET 1 OF 1	
		APPLICATION SPEC 114-6032			
		WEIGHT -			

THIS DRAWING IS A CONTROLLED DOCUMENT FOR AMP INCORPORATED. IT IS SUBJECT TO CHANGE AND THE CONTROLLING ENGINEERING ORGANIZATION SHOULD BE CONTACTED FOR THE LATEST REVISION.